

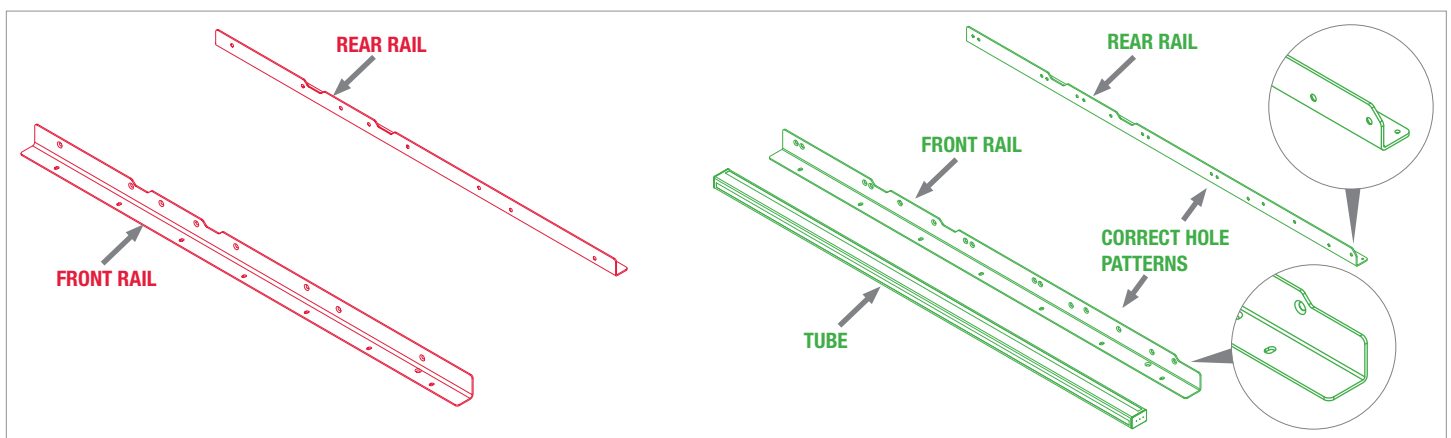
Rail Requirements: In-Line, Right-Hand Side Installation

Use the figures below to verify your rails are compatible with the In-Line configuration on the right-hand side of your Professional Cabinet Saw. **If your rails are not already compatible,**

you may choose to:

- Install your In-Line Router Table to the left of the left wing
- Purchase new Rail Assemblies with notched end and compatible hole patterns (in green below)
- Modify your existing rails. NOTE: SawStop-approved installation requires using SawStop-manufactured RT rails. No cut templates for rail modification are available from SawStop.

36" Rails

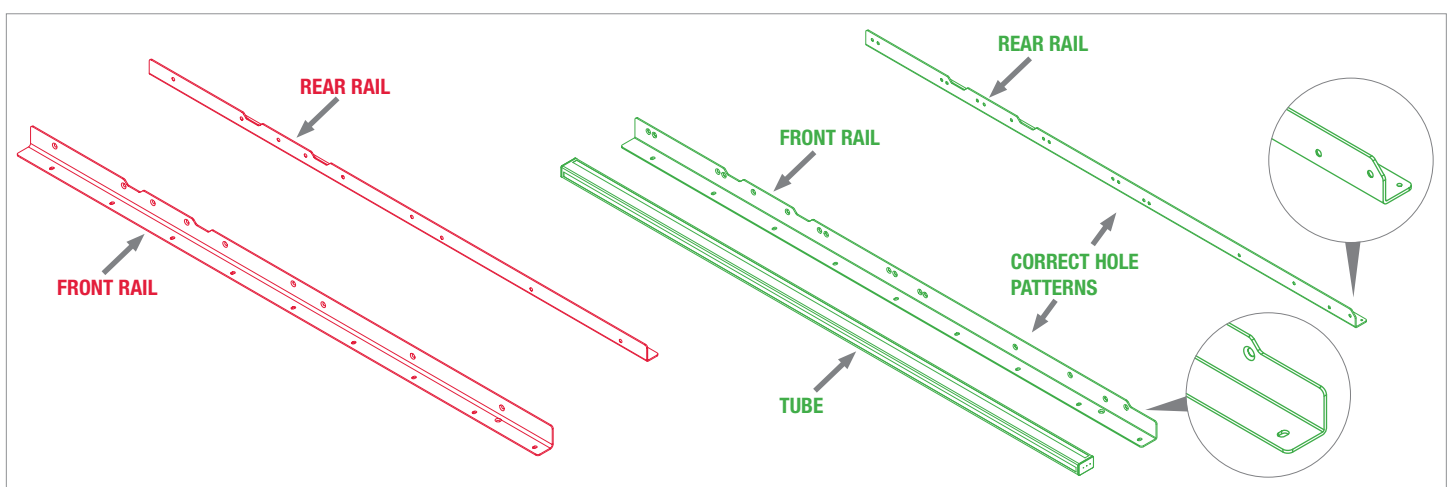


36" TGP2 Rails
Part Number: TGP2-R36A
NOT COMPATIBLE

36" TGP2 Rails
Part Number: TGP2-R36A2
COMPATIBLE

(Notice notched ends and additional mounting holes in front and rear rails)

52" Rails



52" TGP2 Rails
Part Number: TGP2-R52A
NOT COMPATIBLE

52" TGP2 Rails
Part Number: TGP2-R52A2
COMPATIBLE

(Notice notched ends and additional mounting holes in front and rear rails)