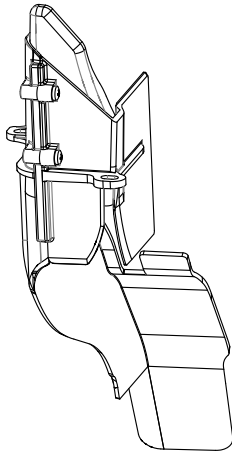
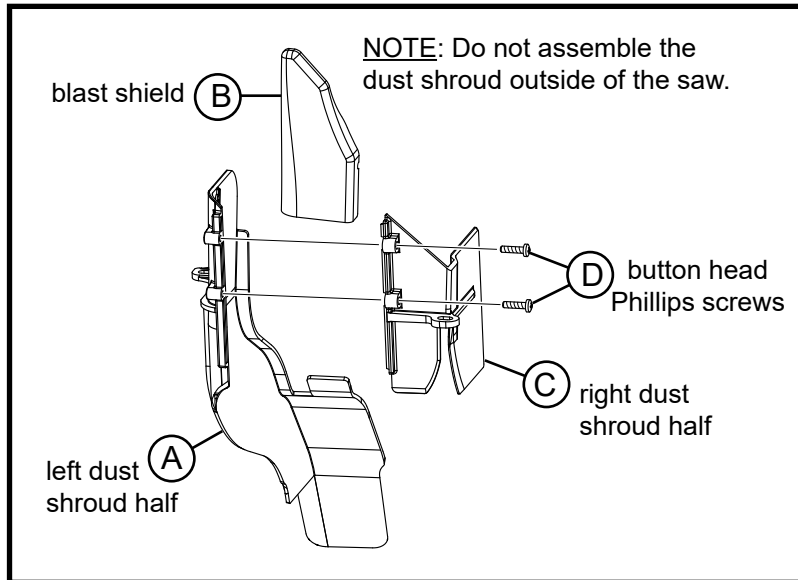




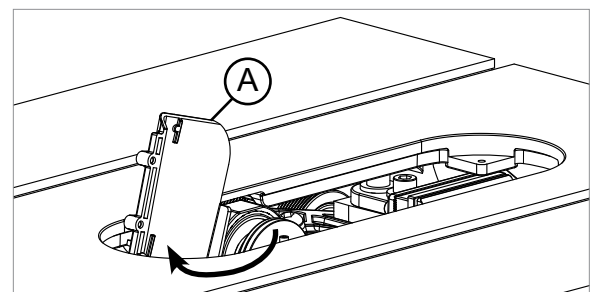
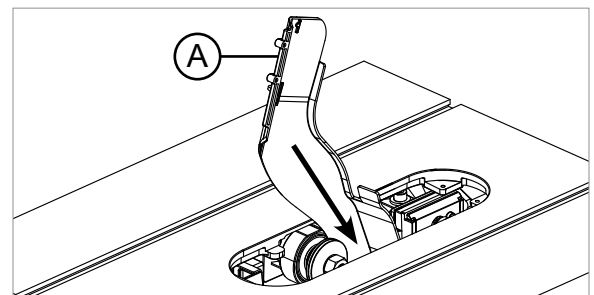
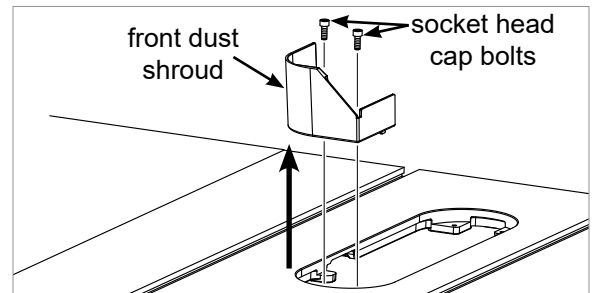
ICS Front Dust Shroud Replacement Guide



Tools:
5 mm hex key
Phillips screwdriver



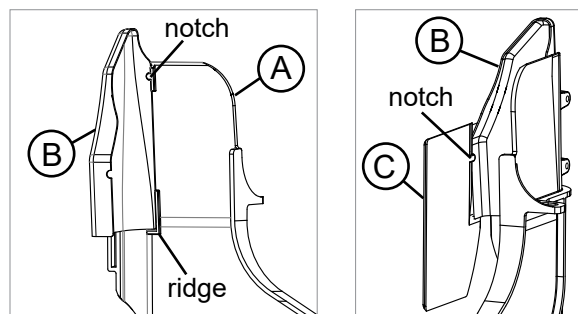
1. Remove the table insert and the blade guard. Open the dust shroud door inside the saw and remove the blade. Leave the dust shroud door open.
2. Turn the elevation handwheel to lower the arbor all the way down.
3. Using a 5 mm hex key, remove the two socket head cap bolts that mount the plastic front dust shroud to the cast iron trunnion brace. Remove the front dust shroud from the saw.
4. Turn the elevation handwheel to fully raise the arbor.
5. Holding the left dust shroud half **A** (the larger half) with the screw bosses at the top of the shroud facing the front of the saw, insert the left dust shroud half into the saw *behind the arbor* with the bottom portion pointed towards the dust port outlet at the bottom of the cast iron trunnion brace.



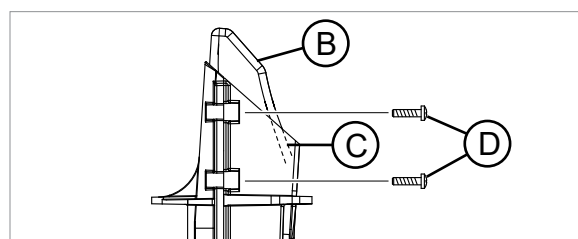
Now maneuver the upper portion of the left dust shroud half around and to the front of the arbor and move it to the left side of the cast iron trunnion brace, but do not fully seat it in the saw. Rather, raise the upper portion so that the screw bosses are above the table surface to more easily install the blast shield.

Continue on the back side →

6. Position the blast shield **B** in the upper portion of the left dust shroud half **A** so that the notch at the top of the left edge of the blast shield aligns with the corresponding protrusion in the left dust shroud half, and the bottom of the blast shield sits on the ridge in the left dust shroud half, as shown. Place the right dust shroud half **C** along the right side of the blast shield so that the notch on the right side of the blast shield aligns with the corresponding protrusion in the right dust shroud half.

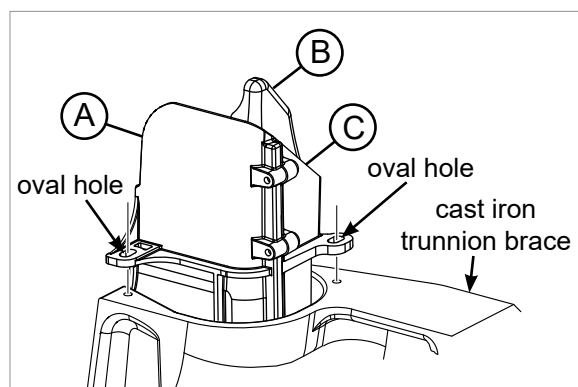


7. The screw bosses at the front of the left and right dust shroud halves will be aligned when the two dust shroud halves are fitted together properly. Install the two button head Phillip screws **D** in the bosses at the front of the shroud, inserting them from right to left, as shown, and tightening them with a Phillips screwdriver. It may be easier to install the bottom screw first. Do not over-tighten the screws.



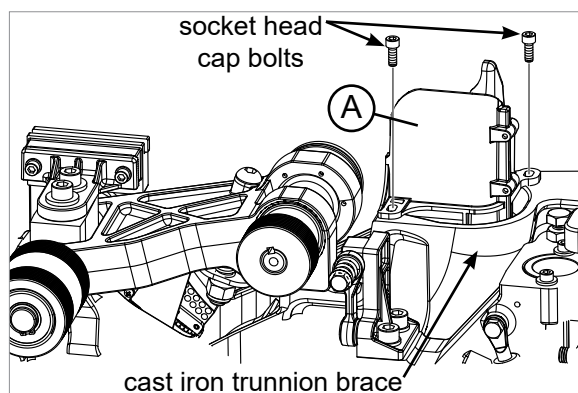
8. Carefully lower the arbor a bit by turning the elevation handwheel two complete turns.

9. Now lower the dust shroud assembly into the saw until it rests on the cast iron trunnion brace and the oval holes in the left and right dust shroud halves align with the threaded holes in the trunnion brace.



10. Turn the elevation handwheel to lower the arbor all the way down.

11. Re-install the two socket head cap bolts which you removed earlier to attach the dust shroud assembly to the trunnion brace, but do not tighten the bolts. You may find it easier to install the bolt on the right by opening the motor cover to access the saw from the side. If the dust shroud is black, slide the assembly to the right so that the right dust shroud half lies against the right side of the cast iron trunnion brace. If the dust shroud is light gray, slide the assembly to the left as far as possible. Tighten the two socket head cap bolts with a 5 mm hex key.



12. Turn the elevation handwheel to fully raise the arbor and re-install the blade. The arbor must be raised when installing a blade with the new dust shroud installed. Close the dust shroud door and re-install the table insert and blade guard.

To achieve the improved dust collection, you must connect a dust collection system to the rear port on the saw as described in your owner's manual.

**SawStop Service Department
503-582-9934 www.sawstop.com**

Item	Description	Part number	Qty
A	Left Dust Shroud Half	CB110 005	1
B	Blast Shield	CB110 007	1
C	Right Dust Shroud Half	CB110 006	1
D	M5x2.2x20 Button Head Phillips Screw	CB110 008	2